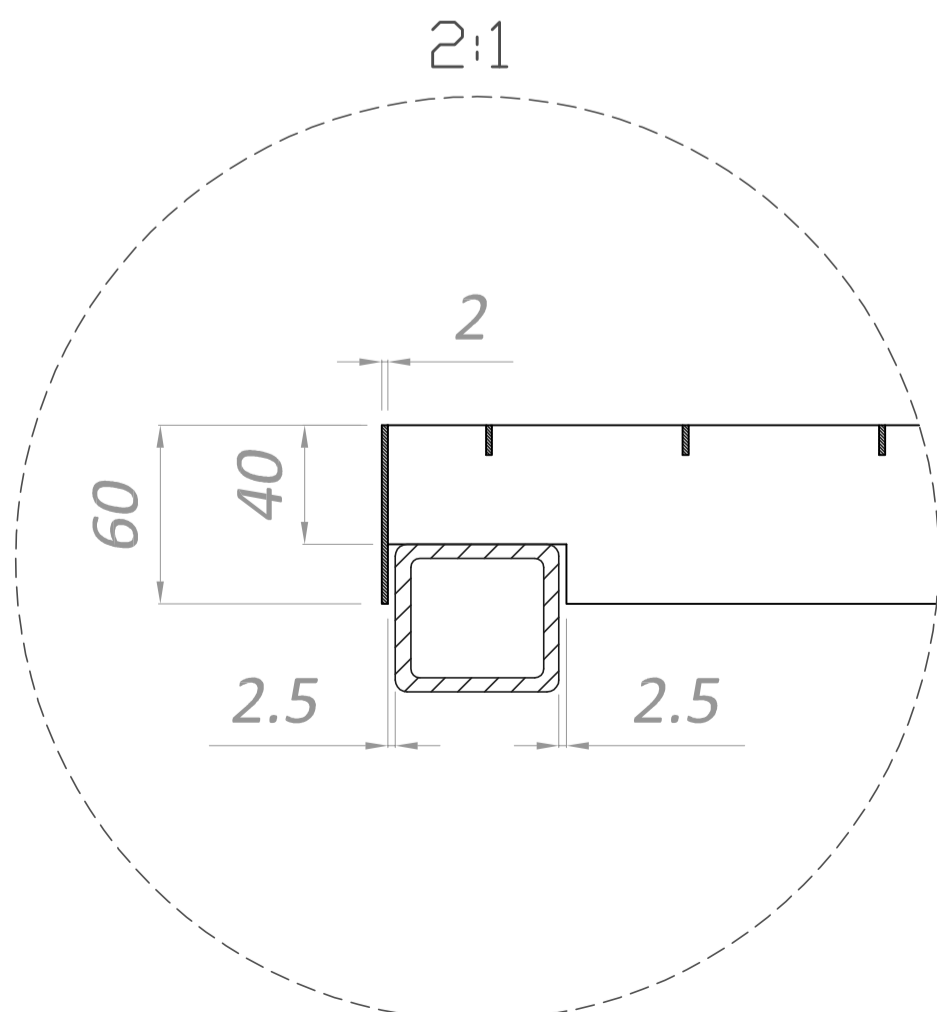


Typ C
KR1 / 10 szt.
KWO/33x66/40x2
L=1000 x B=1200



Bearing bar: 40x2 mm
 Cross bar: 9x1.5 mm
 Mesh size: 33.3x66.6 mm
 Length of grating "L": 1000 mm
 Width of grating "B": 1200 mm
 Framing: 2x 60x2 mm; 2x 60x2 mm
 Type of framing: C
 Quantity: 10 szt.

↖ ↗ - direction of bearing bar

Object:		Kraty Mostostal Kraków Sp. z o.o. 30-092 Kraków ul. L. Kłopotowicza 11 www.kraty-mostostal.eu			
Document					
Designed	KMK	Name		No draw	
Drawn	KMK	Sign		Date	
Checked				No draw	
Approved					
Scale:	1-50	Name:	Shelf grating - type C		
		Revision		Format	A2